

BK TUBE PROSTHESIS 2A49 TUBE WITH ADAPTER

TUBE WITH ADAPTER

aluminum

Aluminum tube with aluminum adapter. They are used exclusively for the manufacture of lower extremity prostheses.

Made of high strength aluminum. Indicated for patients with a maximum weight of 80 kg.

The tube has a diameter of 30 mm and a length of 30 cm, not counting the height of the pyramidal receiver at its base.



ACTIVITY LEVEL				
PATIENT WEIGHT LIMIT				
IMPACT LEVEL	1-2	RESISTANCE	80 KG	
SKU	2A49	UNIT WEIGHT	300 GR	

CAUTION!

Do not expose the prosthetic components to environments that favor the corrosion of metal, as well as the degradation of the elements that make up the tube. If it is exposed to any of these environments and the tube has traces of elements that favors its deterioration, the warranty offered by O and P will be lost.

WARRANTY

The 2A49 tube warranty only applies if it is used under the conditions described in this sheet. This product is insured for 1 year using exclusively O and P modular products.

TUBE WITH ADAPTER**INSTRUCTIONS FOR USE**

The Tube with Adapter 2A49 has a height of 30 cm and is to be cut to the size required by the technician.

Please follow the instructions below to avoid tube deformation. O and P tube tolerances are of approximately .001.

A deformed tube cannot be inserted into a tube adapter (4I21,4I21C, 4I21B, 4A69, 4I56) without further difficulties.

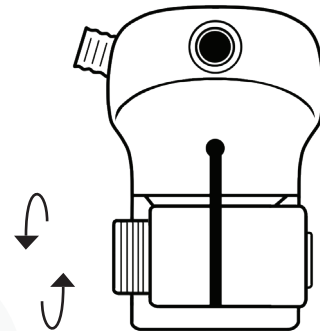
CAUTION! 

Do not clamp the tube in the workbench screw, as this action can cause deformations or damage. The cut must form a 90° angle with respect to the outer wall line of the tube in the distal direction. The use of tube cutters (not saws) is recommended.

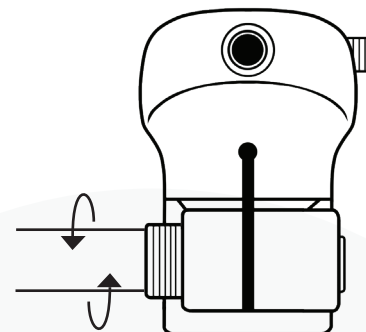
To install the tube, loosen the M6 x 22 mm screw ^{1.1} from the adapter (4A69), and insert the tube into it until it stops. ^{1.2}

WARNING 

For the definitive use of the M6 x 22 mm screw, secure it with a torque wrench set to 13 NM. The application of Loctite 242 threadlocker is necessary. Failure to follow this warning could result in the screw stripping and becoming unusable, as well as loosening over time.



1.1



1.2

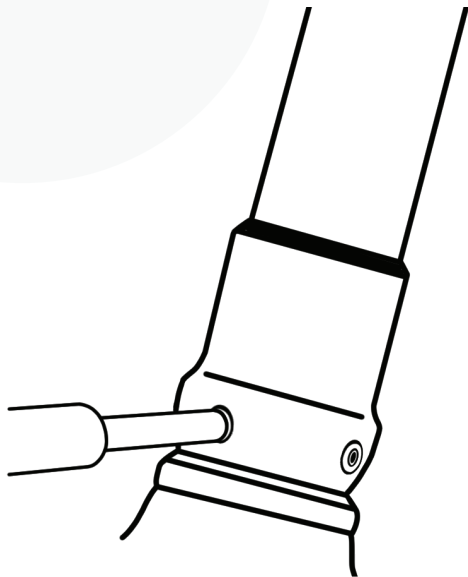
TUBE WITH ADAPTER

INSTRUCTIONS FOR USE

The union with the opposite piece ² in the modular system is through the M8 x 14 mm oppressors.









Corrections can be made at any time during alignment, try-in and after completion of the prosthesis. To exchange any part, disassemble it. To keep the previous alignment, unscrew only the two adjoining oppressors.

For the definitive use, secure it with a torque wrench set to 15 NM. The application of Loctite 242 threadlocker is necessary.



2



ACTIVITY LEVEL	   
PATIENT WEIGHT LIMIT	   
IMPACT LEVEL	1-2
RESISTANCE	80 KG
SKU	2A49
UNIT WEIGHT	300 GR